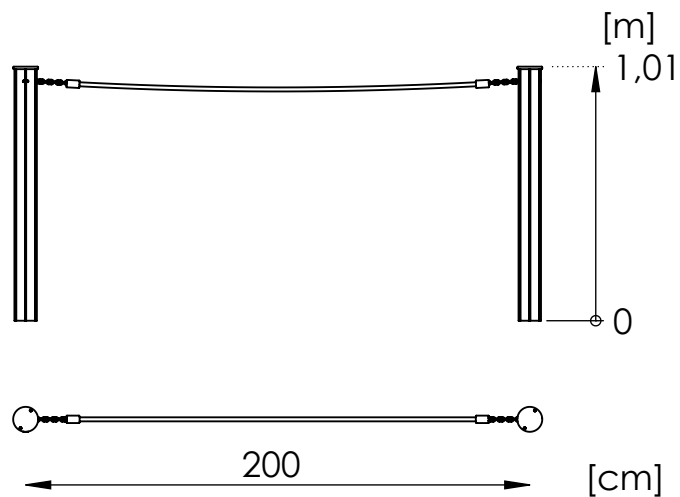


Product Datasheet

Fence OG-02



Materials used:

- construction post made of anodized aluminum profile with a diameter of $\varnothing 89$ mm,
- reinforced ropes in a polypropylene braid 16 mm, stainless steel chains,
- fasteners: stainless screws.

Assembly:

The set is mounted in the ground using hot-dip galvanized steel anchors.
Foundations made of C20/25 class concrete.